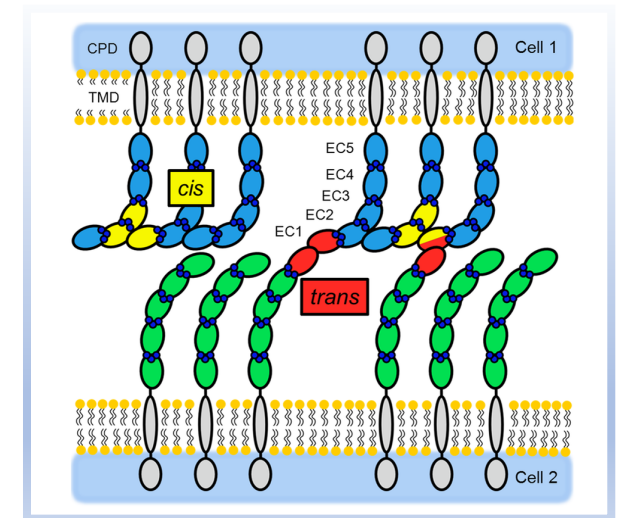
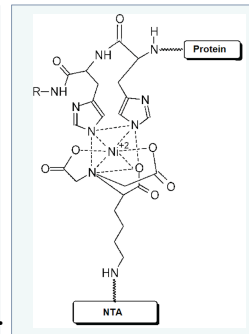
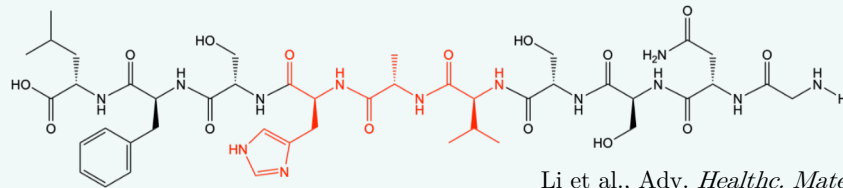
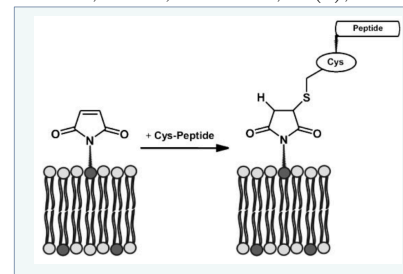
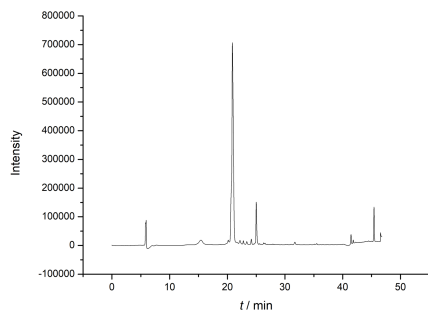


The Synthesis of E-Cadherin Mimetic Peptides Followed by a Biophysical Analysis of its Adhesion Properties

1. Synthesis of various lipid-anchored HAV-peptides via solid phase peptide synthesis



2. Purification by high pressure liquid chromatography



3. Biophysical analysis with atomic force microscopy and acoustic force spectroscopy

